

Project:	
Type:	
Catalog #:	



## STANDARD



## FEATURES

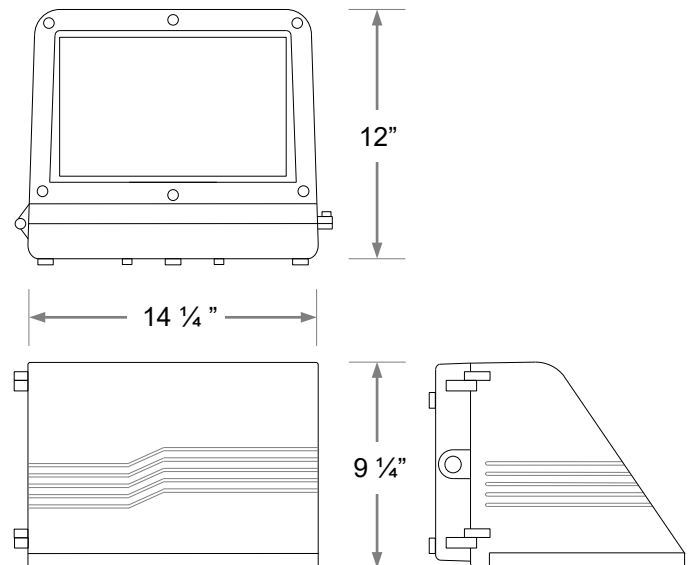
- Available in 4000k (neutral white) and 5000k (cool white) color temperatures.\*
- Long-life LEDs provide at least 70% of initial lumen output ( $L_{70}$ ) for  $\geq 123,000$  hours of operation, and at least 90% of initial lumen output ( $L_{90}$ ) for  $\geq 36,000$  hours of operation.\*\*
- LED chromaticity based on  $\leq 5$ -step ANSI quadrangles.
- LED color maintenance  $\leq 0.002$  chromaticity shift ( $\Delta u'v'$ ) over the initial 6,000 of operation.
- Provides a range of 5,478 to 9,053 nominal lumens and 121 to 129 nominal lumens per watt (lm/W).
- 0-10vdc dimming drivers, which provide 10% continuous dimming are standard.
- Universal 120-277 AC voltage (50-60Hz) is standard.
- Power factor  $> 0.90$ .
- Total harmonic distortion  $< 20\%$ .
- Color rendering index ( $R_a$ )  $> 70$ . Red color rendering  $> -22$ .
- Cast aluminum housing with dark bronze, powder coat finish.
- Glass lens.
- Three  $\frac{1}{2}$ " NPT threaded openings.
- Easy installation in new construction or retrofit applications.

\* Contact factory for other color temperatures and lumen packages.  
 \*\*  $L_{70}$  &  $L_{90}$  hours are IES TM-21-11 calculated hours.

## WARRANTY & LISTINGS

- cULus listed for wet locations in ambient temperatures from  $-20^{\circ}\text{C}$  to  $45^{\circ}\text{C}$  ( $-4^{\circ}\text{F}$  to  $113^{\circ}\text{F}$ ).
- IP65 rated for ingress protection.
- DLC 5.1 premium approved.
- Complies with FCC Part 15, class B.
- Complies with IEEE C.62.41-2002, surge immunity protection (2kV).
- Complies with RoHS (Restriction on Hazardous Substances) requirements.
- 5-year warranty of all electronics and housing.

## DIMENSIONS



## ORDERING INFORMATION

Series	Nominal Lumen Output		Color Temperature	
	FWP	A	5,000 lumens	4K
	B	9,000 lumens	5K	5000k

## ELECTRICAL DATA

Model	Color Temperature	CRI <sup>1</sup>	Luminaire Lumens	Luminaire Watts	Lumens/Watt	Input Voltage <sup>2</sup>	Input Current (A)			Power Factor	THD <sup>3</sup>	L <sub>70</sub> Hours <sup>4</sup>
							120V	240V	277V			
FWP-A-4K	4000k	>70	5,478	43	129	120-277	0.35	0.18	0.15	>0.90	<20%	123,000
FWP-A-5K	5000k	>70	5,570	43	129	120-277	0.35	0.18	0.15	>0.90	<20%	123,000
FWP-B-4K	4000k	>70	8,880	73	121	120-277	0.61	0.30	0.26	>0.90	<20%	123,000
FWP-B-5K	5000k	>70	9,053	74	122	120-277	0.62	0.31	0.27	>0.90	<20%	123,000

<sup>1</sup> Color rendering index.

<sup>2</sup> All 50-60Hz.

<sup>3</sup> Total harmonic distortion.

<sup>4</sup> L<sub>70</sub> refers to the number of hours at which lumen output declines to 70% of the initial level. L<sub>70</sub> hours are IES TM-21-11 calculated hours.

## PHOTOMETRIC DATA

### FWP-A-5K

#### Luminaire Data

Description	Full Cutoff Wall pack 5L, 5K
Total Lumens	5,570
Input Wattage	43
Efficacy (lm/W)	129
Max. Cd.	1919.28 (337.5H, 3V)
IES Classification	Type VS
Longitudinal Classification	Very Short

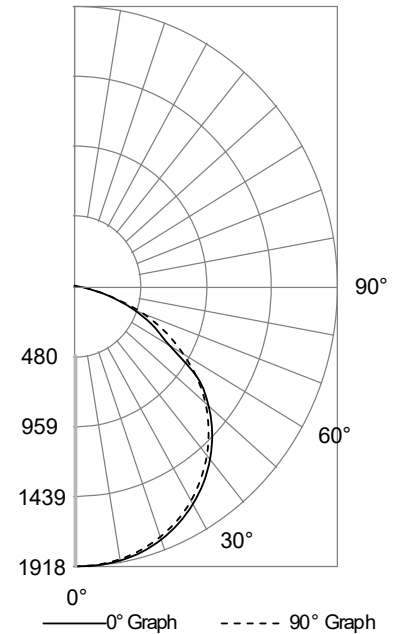
#### Zonal Lumen Summary

Zone	Lumens	%Fixt
0-30°	1,527	27.4%
0-60°	4,580	82.2%
0-80°	5,537	99.4%
80-90°	27	0.5%*
0-90°	5,564	99.9%
90-110°	1	0.0%
110-180°	0	0.0%
0-180°	5,570	100.0%

#### Luminaire Classification Systems (LCS)

LCS Zone	Lumens	%Lum
<b>FL</b> 0-30	766	13.8%
<b>FM</b> 30-60	1,537	27.5%
<b>FH</b> 60-80	481	8.6%
<b>FVH</b> 80-90	14	0.2%
<b>BL</b> 0-30	761	13.7%
<b>BM</b> 30-60	1,515	27.1%
<b>BH</b> 60-80	477	8.6%
<b>BVH</b> 80-90	13	0.2%
<b>UL</b> 90-100	0	0.0%
<b>UH</b> 100-180	6	0.1%
<b>Total</b>	5,570	99.7%
BUG Rating	B2-U1-G1	

#### 180° Polar Graph



\* 80-90° glare zone is calculated by dividing the lumens in that zone by the lumen total in the 0-90° zone

## PHOTOMETRIC DATA

### FWP-B-5K

#### Luminaire Data

Description	Full Cutoff Wall pack 9L, 5K
Total Lumens	9,053
Input Wattage	74
Efficacy (lm/W)	122
Max. Cd.	3167.6 (360H, 3V)
IES Classification	Type VS
Longitudinal Classification	Very Short

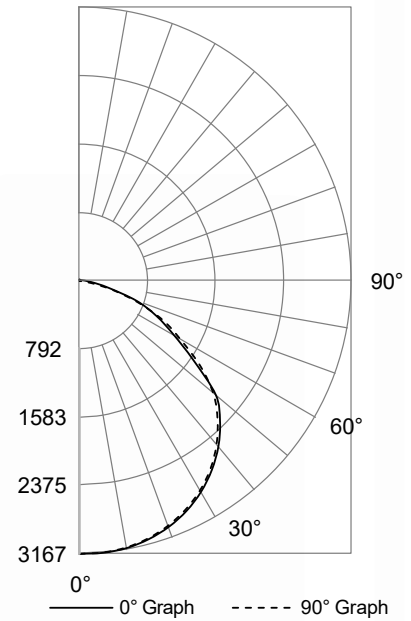
#### Zonal Lumen Summary

Zone	Lumens	%Fixt
0-30°	2,525	27.9%
0-60°	7,531	83.2%
0-80°	9,003	99.4%
80-90°	39	0.4%*
0-90°	9,042	99.9%
90-110°	1	0.0%
110-180°	0	0.0%
0-180°	9,053	100.0%

#### Luminaire Classification Systems (LCS)

LCS Zone		Lumens	%Lum
<b>FL</b>	0-30	1,265	14.0%
<b>FM</b>	30-60	2,504	27.7%
<b>FH</b>	60-80	729	8.0%
<b>FVH</b>	80-90	20	0.2%
<b>BL</b>	0-30	1,260	13.9%
<b>BM</b>	30-60	2,501	27.6%
<b>BH</b>	60-80	744	8.2%
<b>BVH</b>	80-90	20	0.2%
<b>UL</b>	90-100	0	0.0%
<b>UH</b>	100-180	10	0.1%
<b>Total</b>		9,053	99.9%
BUG Rating		B3-U2-G1	

#### 180° Polar Graph



\* 80-90° glare zone is calculated by dividing the lumens in that zone by the lumen total in the 0-90° zone